



Features:

- ARINC 801 terminus to LC receptacle adapter converts TIA/EIA-604-10B compliant LC receptacles into an avionics grade ARINC 801 interface
- Adapter receptacle is compatible with compliant ARINC 801 1.25mm termini
- Rugged metal design replaces the need for plastic adapters and intermediate fiber jumpers
- Fits COTSWORKS' RJ and SFF LC transceiver receptacles
- Factory or end-user installation using COTSWORKS' proven LC-T hardware
- Metal design improves performance over temperature inside LRUs
- Secure interface for high shock and vibration environments, meets MIL-STD-883 shock and vibration requirements
- Improved tamper resistance vs. plastic tab LCs



The LC-T801 is ideal for harsh environments including Military and Aerospace applications.



COMMERCIAL AEROSPACE



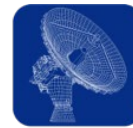
MILITARY AEROSPACE



MILITARY TACTICAL



SUBSEA NETWORKING



RADAR & SENSING



OIL & EXPLORATION

General Description

The LC-T801 is a receptacle adapter that converts an LC receptacle into a 1.25mm ARINC 801 receptacle, utilizing features found in the COTSWORKS LC Tab (LC-T) connector and industry-standard ARINC 801 terminus retention features. The LC-T801 uses identical spring clips utilized by the COTSWORKS RCP module and is similar to those implemented in 38999 circulars, EN4165 squares, and the rectangular EPX connectors. These design features allow transceivers with LC receptacles to upgrade to a more rugged ARINC 801 style terminus.

General Specifications

Mechanical Specifications

- ARINC-801 compliant receptacle
- TIA/EIA-604-10B compliant body
- Connector retention per EIA-364-38B (12 lbf)

Configurations Specifications

- Available as a standalone adapter
- Available to be pre-installed into COTSWORKS transceivers that utilize LC receptacles

Environmental Specifications

- Mechanical Shock per MIL-STD-883 (1500g, 0.5ms)
- Vibration per MIL-STD-883 (20g)
- Operating temperature of -55°C to + 95°C
- Storage temperature -55°C to +105°C
- Humidity 95% (non-condensing)

Optical Specifications

- Supports PC and UPC ARINC 801 termini
- Insertion loss less than 0.25dB

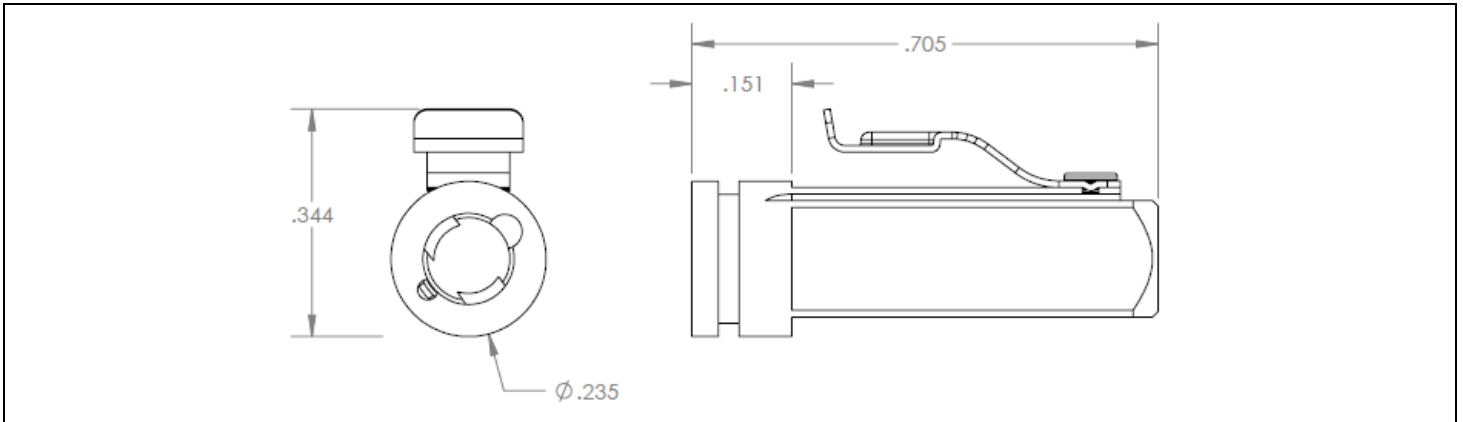
Agency Specifications

- RoHS requirements per 5/6





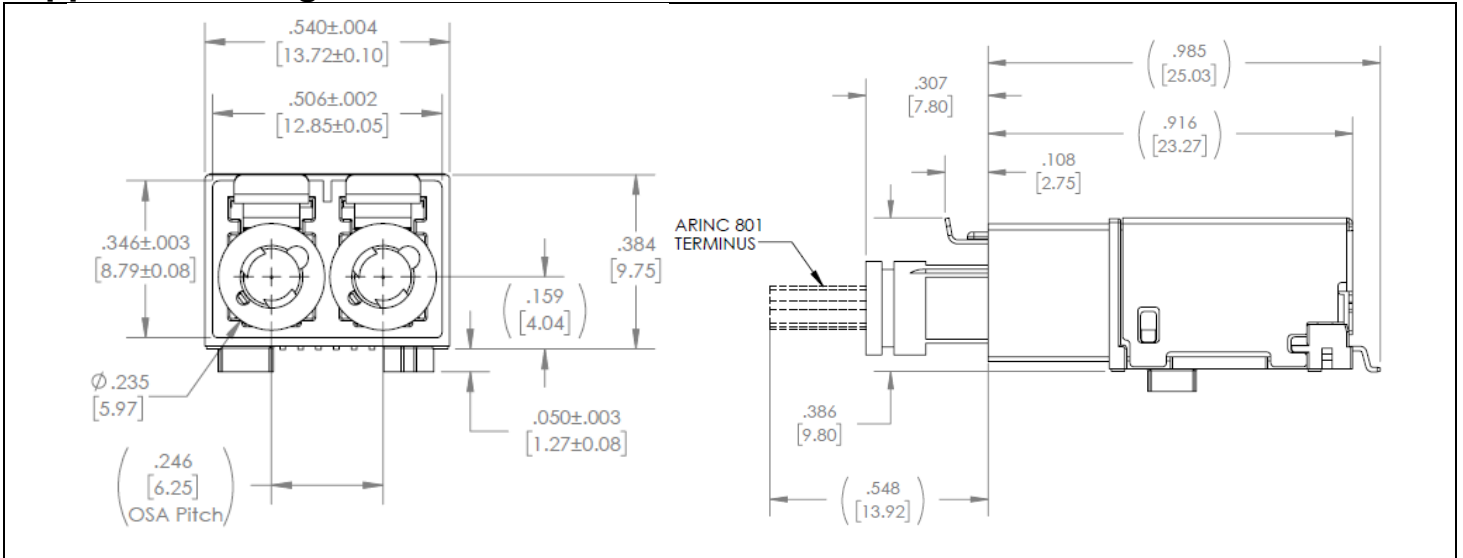
Mechanical Dimensions



Materials

Part	Material	Notes
LC-T801 Body	7075-T(X Aluminum; Electroless Nickel Plate	-
LC-T801 Retention Clip	Beryllium Copper; Electroless Nickel Plate	-
LC-T801 Retention Clip Screw	Stainless Steel; Passivated	-
LC-T801 ARINC 801 Clip	Stainless Steel	-

Application Images





Guidelines

Installation Guidelines

- Insert an ARINC 801 termini into the LC-T801 Receptacle Adapter Body
- Push the ARINC 801 termini forward until the ARINC retention clip is fully engaged
- Install the LC-T801 adapter into an LC receptacle

Removal Guidelines

- If installed in an LC receptacle, depress the LC-T801 retention clip and pull the adapter backward to remove it from the LC receptacle
- Insert an ARINC 801 removal tool into the back of the LC-T801 Receptacle Adapter Body
- While holding the adapter body gently, pull back on the ARINC 801 termini and removal tool

Regulatory Compliance

- TIA/EIA-604-10B
- TIA/EIA-364-38B
- ARINC 801-3
- MIL-STD-883 Method 2002.5 Condition B
- MIL-STD-883 Method 2007.3 Condition A
- RoHS requirements per 5/6

Ordering Information

LC-T801 is sold as part of a transceiver or individually. Contact COTSWORKS' Sales team for ordering configurations.

